

Installing Stainless Steel Spigot Glass Clamp

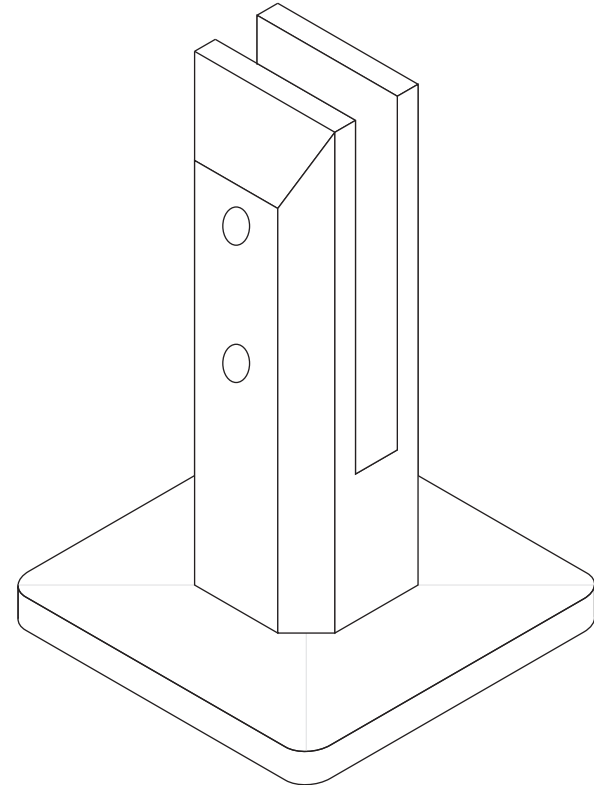
Overview

These instructions will provide step-by-step installation guidelines for installing the Stainless Steel Spigot Glass Clamp. The clamp is designed to work with 1/2" (or 12mm) glass thickness.

Caution:
Wear protective ANSI approved safety glasses, working gloves and breathing mask at all times.

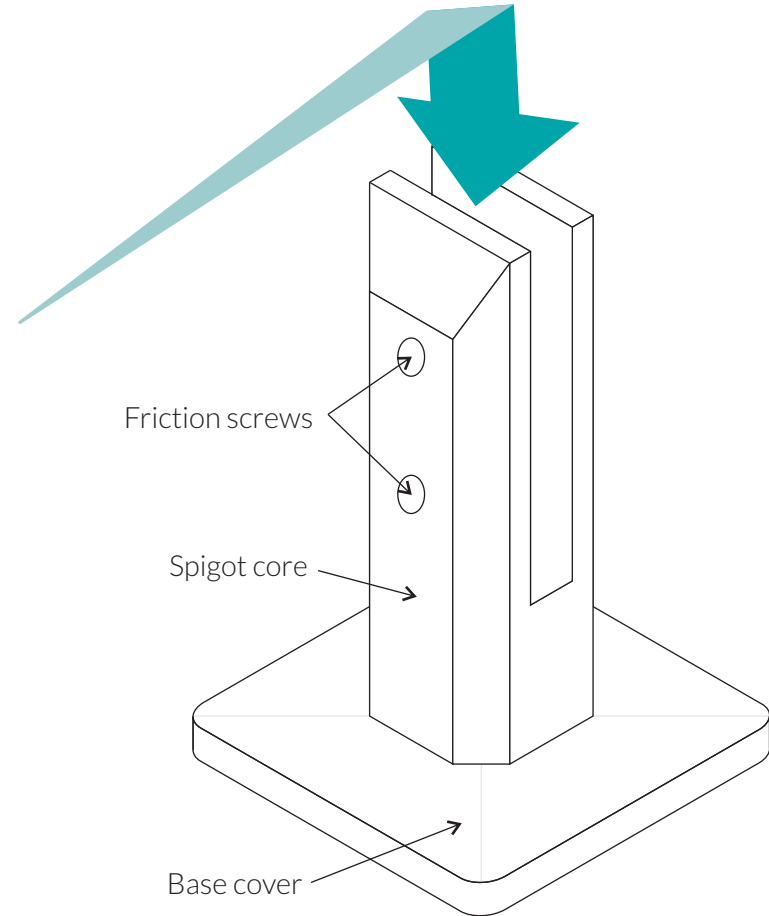
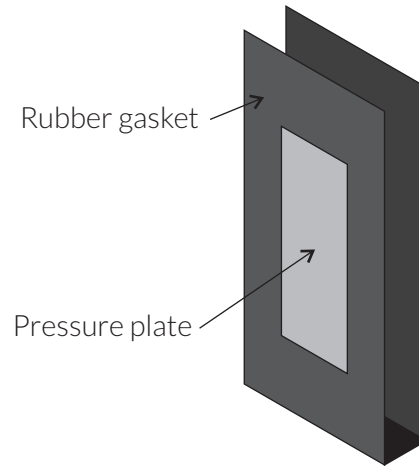
Tools Required

- 1) Drilling tool to go into wood/concrete;
- 2) Allen wrenches;
- 3) Mounting bolts : 5/16" x 3" (at least).

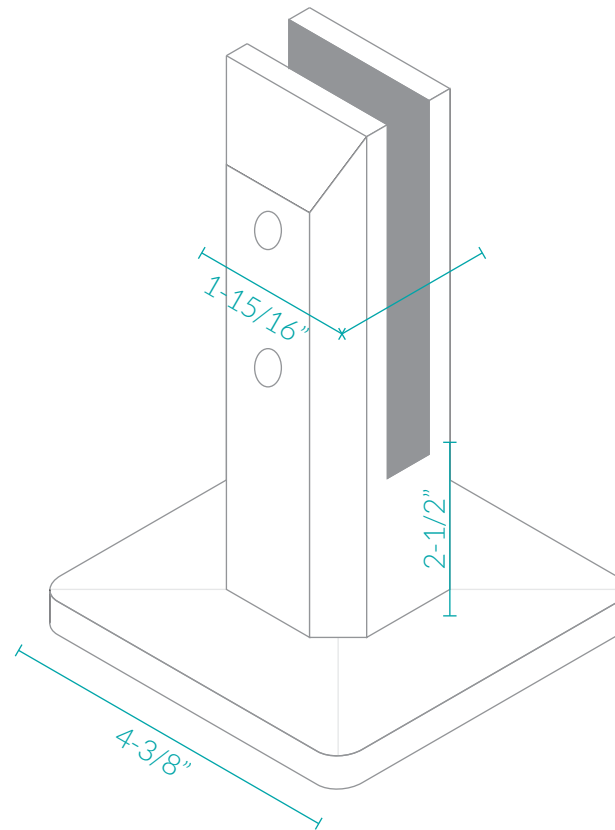
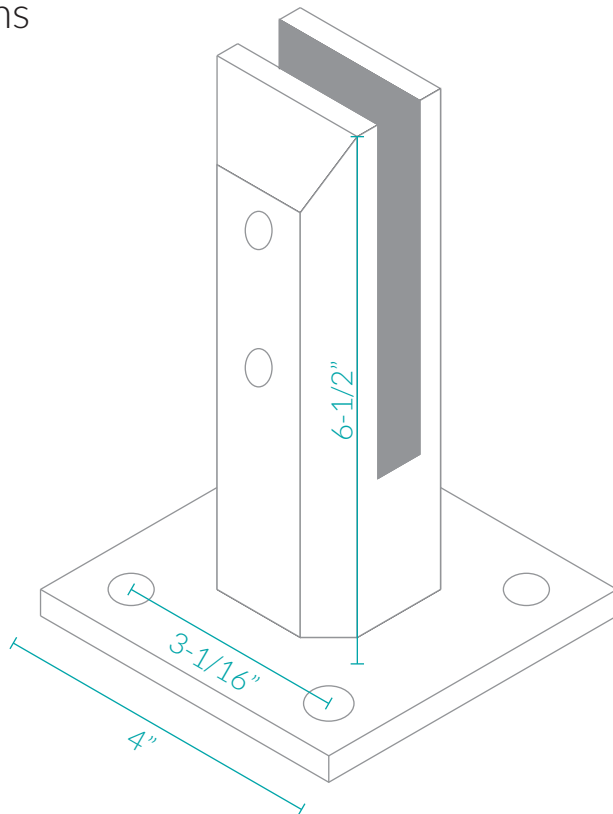


Part List

1. Spigot core;
2. Rubber gasket;
3. Pressure plate;
4. Base cover;
5. 2 x Friction screws



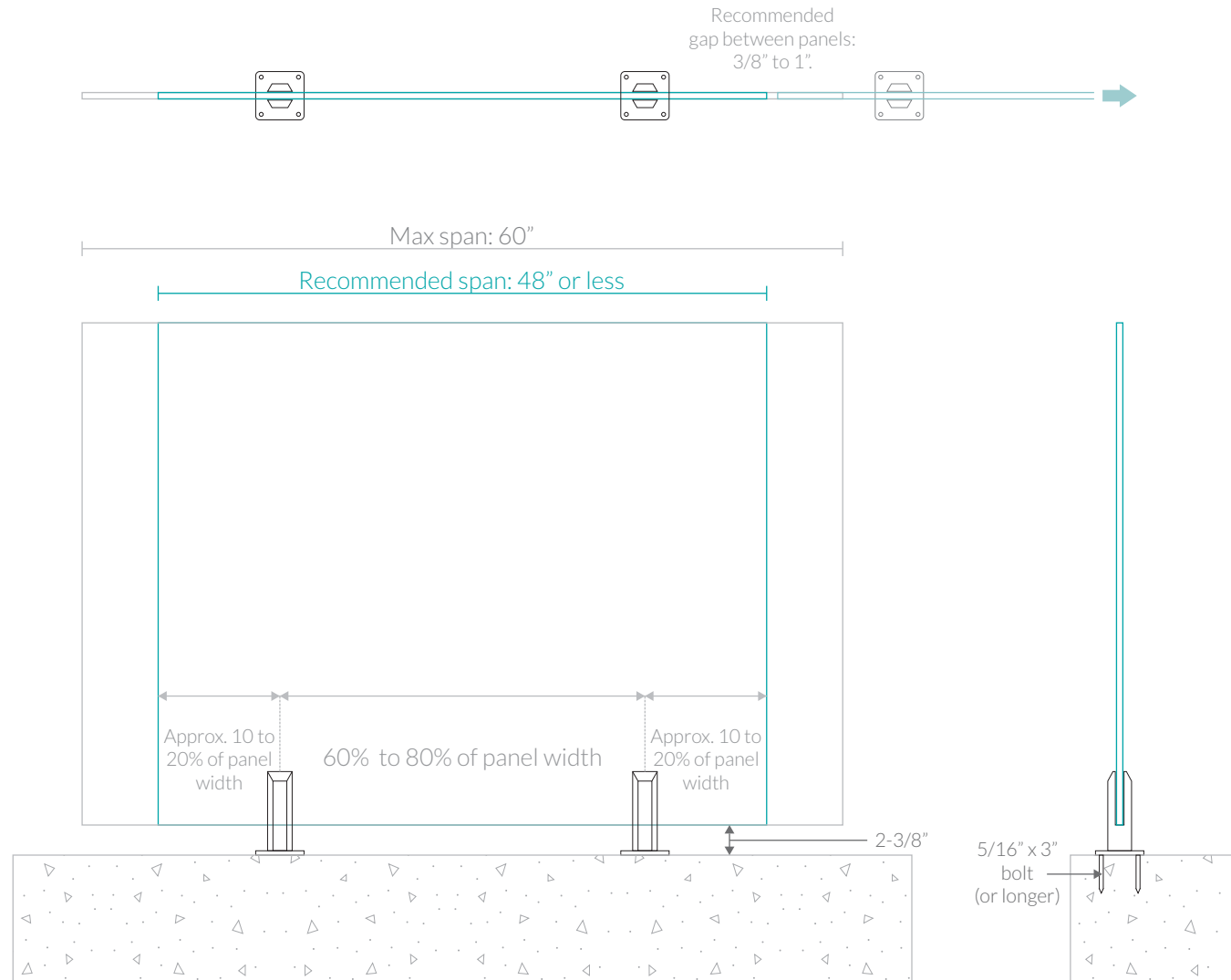
Overall Dimensions



General Guidance

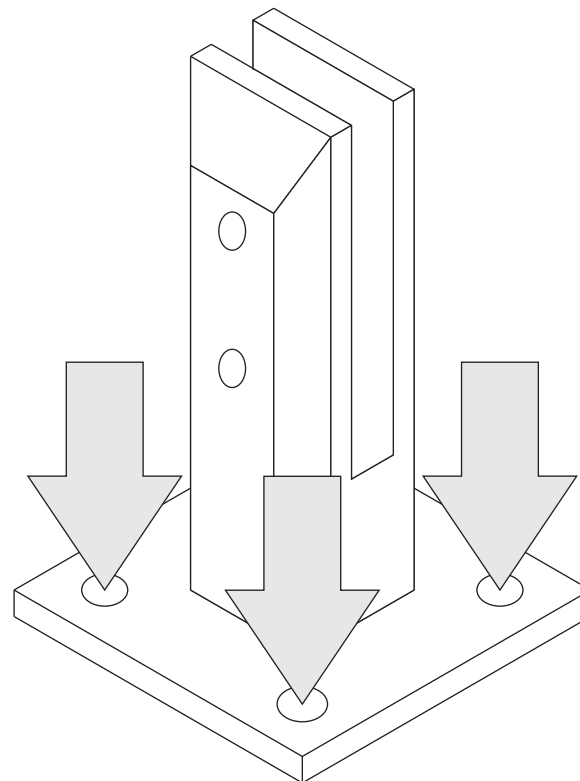
1) Max span will be 60" for a 42" high barrier, 48" for a 48" high barrier, and 36" for a 60" high barrier;

2) Recommended space or gap between panels can vary from 3/8" to an inch. LA Railings, as a company standard, uses a 5/8" space;



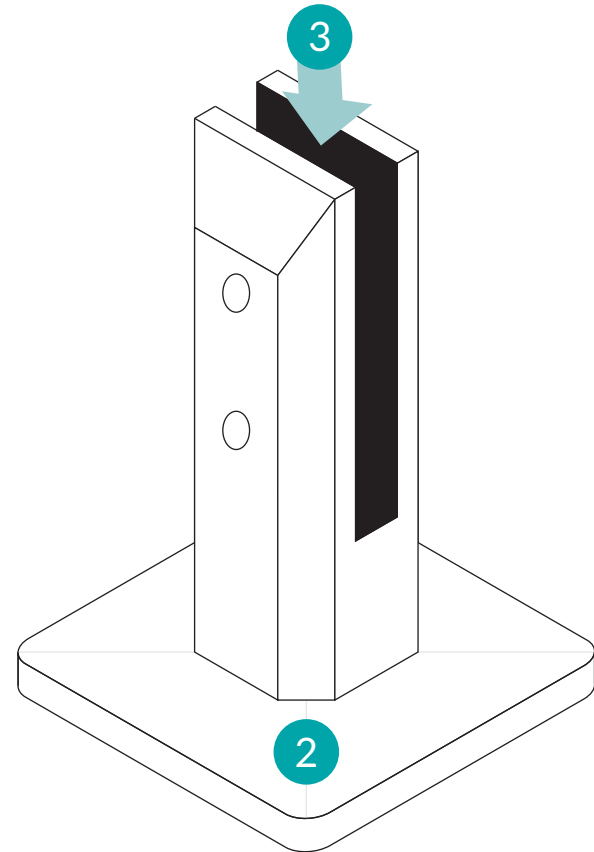
Instructions

1) After careful mapping of the project and marking the location of each spigot and the holes, begin by bolting down the base. Mounting hardware (screws, bolts, etc.) is **NOT** supplied by LA Railings. Recommended bolt minimum length is 3" and minimum thickness of 5/16" diameter.) Please refer to bolt manufacturer documents for installation, edge distances and concrete PSI ratings.



2) Slide the base cover in place;

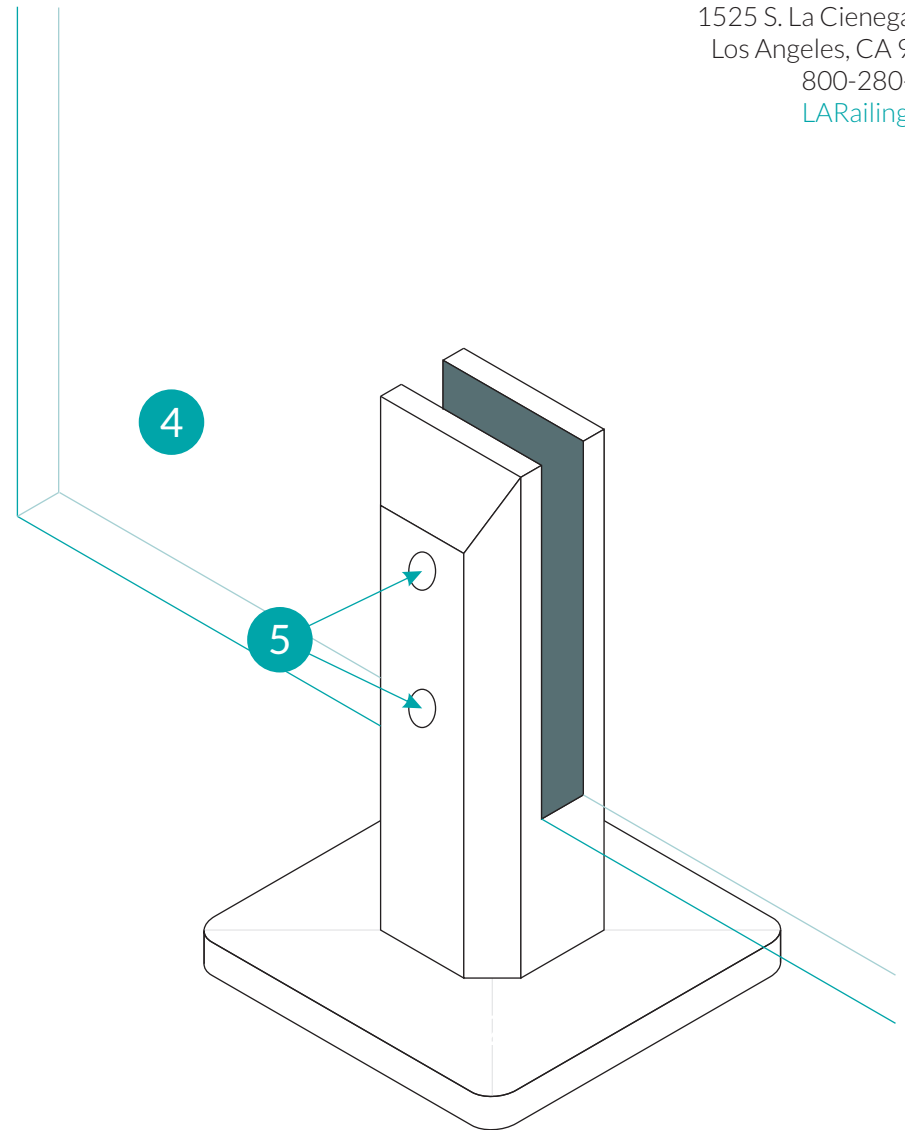
3) Make sure the rubber gasket with the pressure plate are inside the spigot core and in place to receive the panel.



L.A. RAILINGS

4) Slide the panel carefully in place;

5) With the panel in position, tighten the friction tightening screws so the pressure plate inside the core holds the panel securely.



1525 S. La Cienega Blvd.
Los Angeles, CA 90035
800-280-7018
LARailings.com