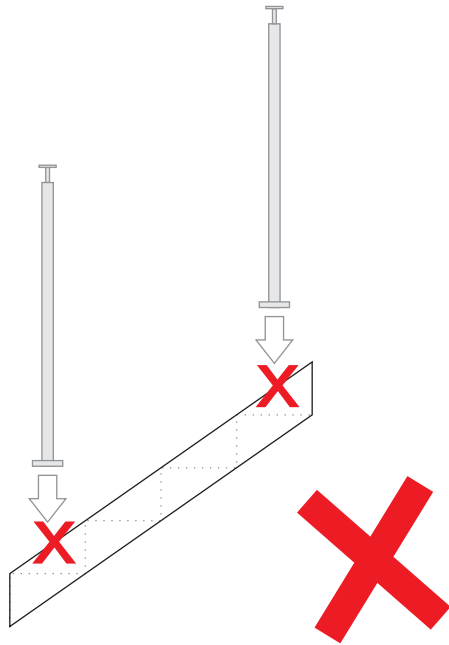
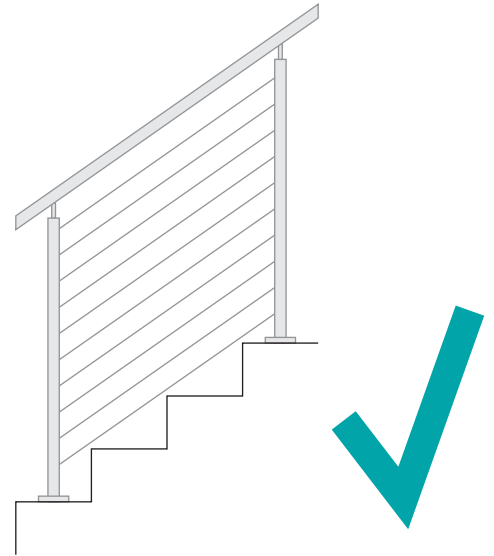


Staircase with slanted stringer on the side



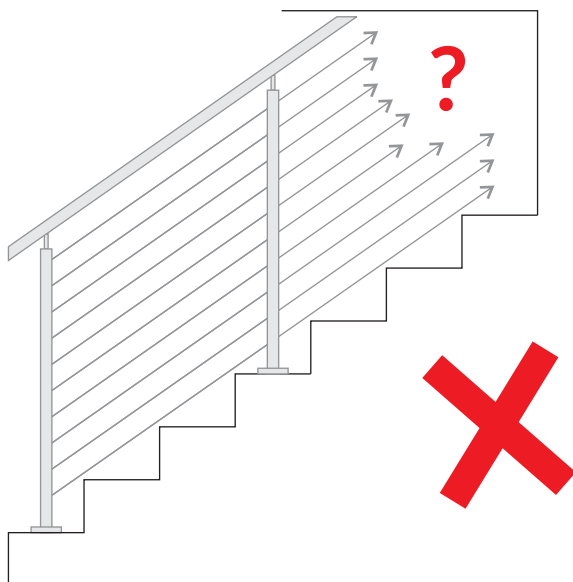
*The flat base of the cable post won't suit a slanted (angled), and sometimes thinner, stringer.*

Regular staircase with exposed threads / steps



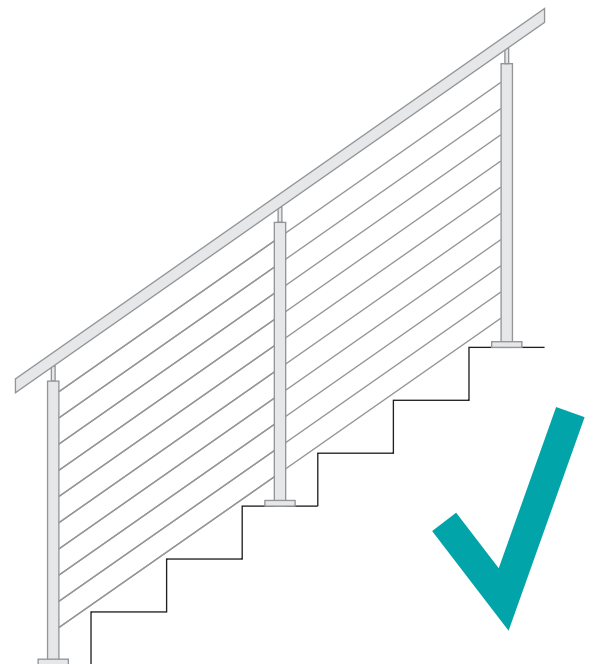
*Cables posts will be screwed down on the top of the threads/steps or flat landing.*

Staircase that starts on a thread but ends on the ceiling



*Cables won't have an "end" to be attached to.*

Staircase that starts on a thread and ends on a flat landing



*Cables will be able to be installed and stretched on both sides.*